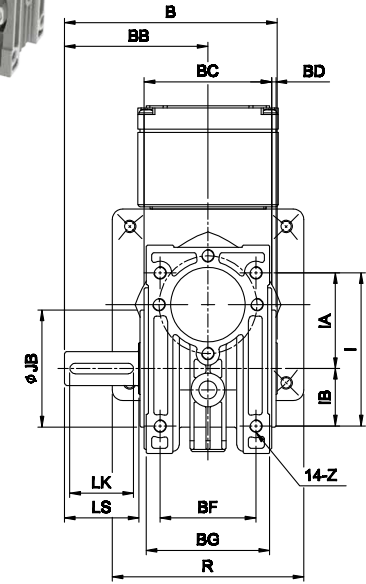
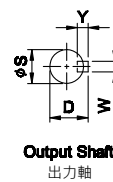
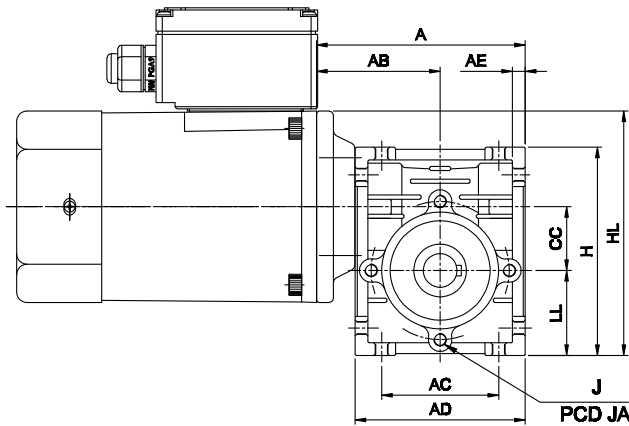


MODEL : NECM

搭配圓軸馬達

In Combination with Compact Round-Shaft Motor



unit: mm

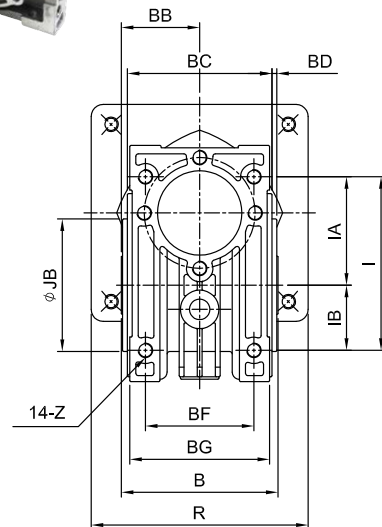
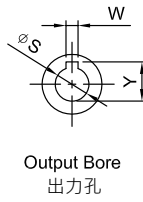
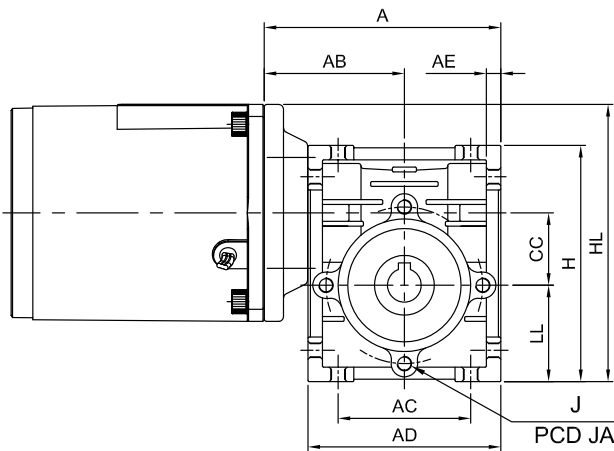
Model	CM	A	AB	AC	AD	AE	B	BB	BC	BD	BF	BG	CC	LL	H	HL	I	IA	IB	Z	出力軸 Output Shaft				Weight (kg)			
																					LS	S	D	WxYxLK		JA	JB	J
30	09	98	58	55	80	6	99.5	67.5	60	2	45	58	30	40	98	115	72	45	27	M6	35	16	18	5x5x30	65	55	8-M6	1.41
40	09	123	72	70	102	7.5	127	85	80	2	60	72	40	50	122	135	90	55	35	M8	40	20	22.5	6x6x35	77	60	12-M6	2.9

註：重量不含馬達 NOTE: Weight not include motor.

MODEL : NEOCM

搭配圓軸馬達

In Combination with Compact Round-Shaft Motor



unit: mm

Model	CM	A	AB	AC	AD	AE	B	BB	BC	BD	BF	BG	CC	LL	H	HL	I	IA	IB	Z	出力孔 Output Bore				Weight (kg)		
																					W	S	Y	JA		JB	J
30	09	98	58	55	80	6	65	32.5	60	2	45	58	30	40	98	115	72	45	27	M6	5	14	16.3	65	55	8-M6	1.31
40	09	123	72	70	102	7.5	90	45	80	2	60	72	40	50	122	167	90	55	35	M8	6	20	22.8	77	60	12-M6	2.6

註：重量不含馬達 NOTE: Weight not include motor.